

FORMULA STUDENT VEHICLE IDENTIFICATION

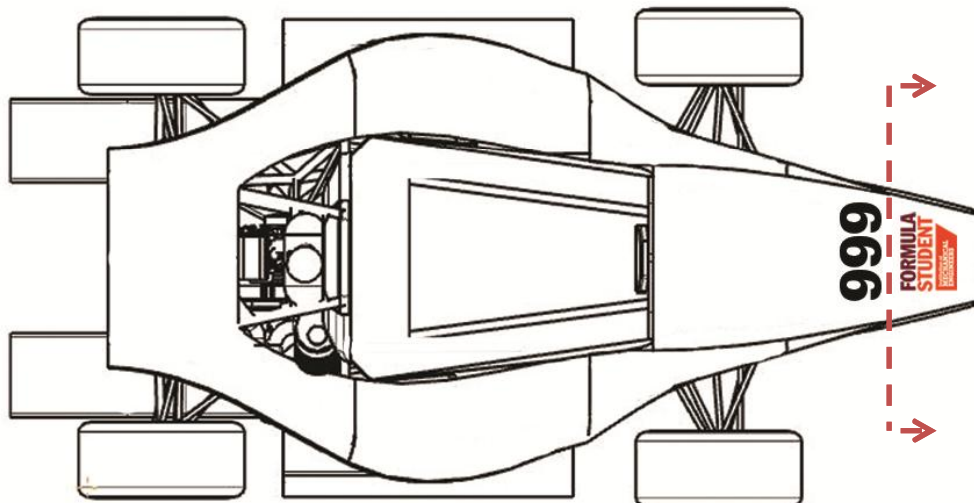
**FORMULA
STUDENT**

Institution of
**MECHANICAL
ENGINEERS**

FS LOGO - Top view

Dimension: 20x15 cm

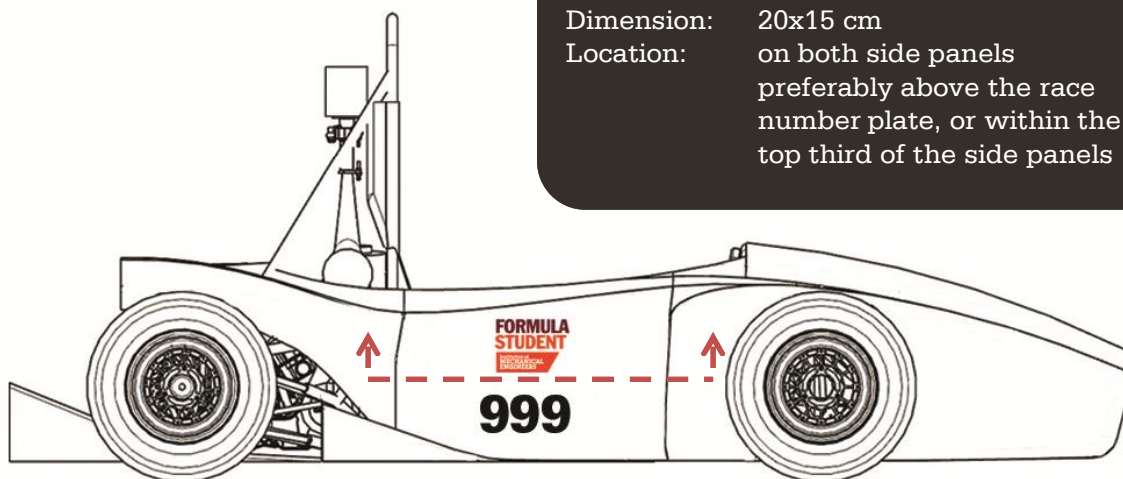
Location: to the front end of the nose cone, below the race number.



FS LOGO - Side view

Dimension: 20x15 cm

Location: on both side panels preferably above the race number plate, or within the top third of the side panels



Stickers would be provided.

(The image of the car is just to illustrate the positioning of the FS logo. It has no technical purpose.)

B16.3 Formula Student Logo (amended text)

Each car will be required to append a Formula Student logo, 20 cm x 15 cm. One marking to the front end of the nose of the car. Each car will be requested to append a Formula Student logo, 20 cm x 15 cm on each side panel, ideally above the race number plate or within the top third of the side panels, (these will be supplied by the organisers). No sponsor or other markings will be permitted to encroach on these areas. Alternatively, teams may incorporate the Formula Student logo into their own colour/graphics schemes, either in a full colour or a black and white version only, providing the logo meets the size and location requirements above. The logo is available in various formats on the Use of Logos webpage.